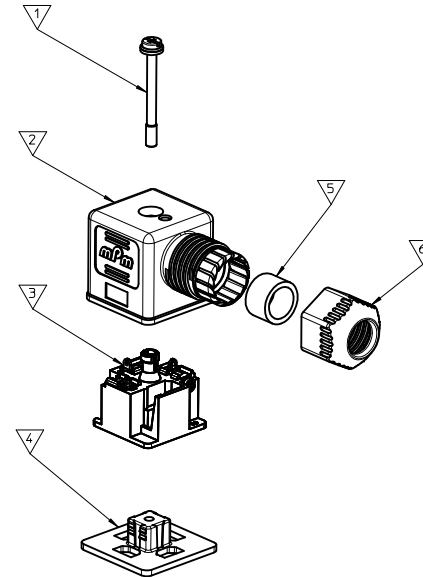


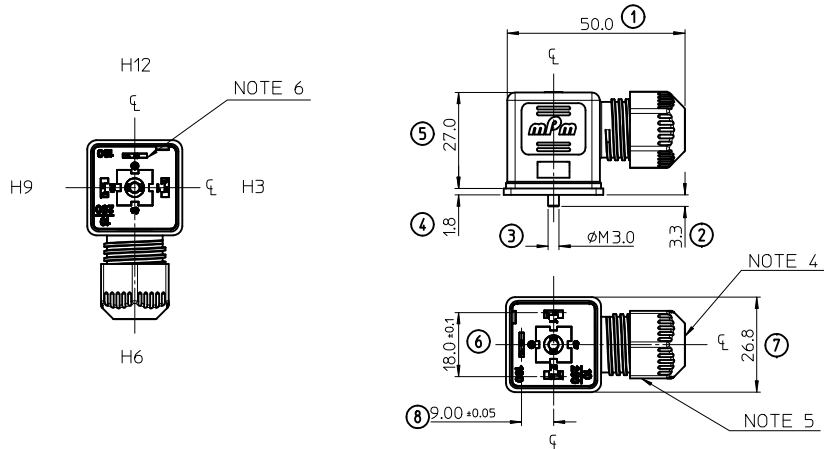
Part No	MPM Part No	DESCRIPTION
1212010001	C28200N0R	TYPE A 2P BLACK NBR GASKET
1212010002	C28300N0R	TYPE A 3P BLACK NBR GASKET
1212010003	C28200N0RCN	TYPE A 2P BLACK NBR GASKET
1212010004	C28300N0RCN	TYPE A 3P BLACK NBR GASKET
1212010005	C28200G0R	TYPE A 2P GRAY NBR GASKET
1212010006	C28200N0R67	TYPE A 2P BLACK NBR NEUTRAL PACK
1212010007	C28300N0R67	TYPE A 3P BLACK NBR NEUTRAL PACK
1212010008	C28200N0SCN	TYPE A 2P BLACK SILICONE GASKET BULK
1212010011	C28200G0S	TYPE A 2P GRAY SILICONE GASKET
1212010012	C28200T0R	TYPE A 2P TRANSPARENT NBR GASKET
1212010013	C28200T0S	TYPE A 2P TRANSPARENT SILICONE GASKET
1212010015	C28300G0R	TYPE A 3P GRAY NBR GASKET
1212010016	C28300G0S	TYPE A 3P GRAY SILICONE GASKET
1212010017	C28300T0R	TYPE A 3P TRANSPARENT NBR GASKET
1212010018	C28300T0S	TYPE A 3P TRANSPARENT SILICONE GASKET
1212010019	C28200G0RCN	TYPE A 2P GRAY NBR GASKET BULK
1212010029	C28200N0S	TYPE A 2P BLACK SILICONE GASKET
1212010030	C28300N0S	TYPE A 3P BLACK SILICONE GASKET
1212010031	C28200W0R	TYPE A 2P BLACK V0 NBR GASKET
1212010032	C28300W0R	TYPE A 3P BLACK V0 NBR GASKET
1212010033	C28200N2RCF	TYPE A 2P BLACK NBR GASKET FULLY MOUNTED
1212010034	C28200N2RSN	TYPE A 2P BLACK NBR GASKET BULK MOUNTED
1212010035	C28200W0RCN	TYPE A 2P BLACK V0 NBR BULK UN-MOUNTED
1212010038	C28300N2RSN	TYPE A 3P BLACK NBR GASKET BULK MOUNTED



ITEM	DESCRIPTION
1	SCREW
2	EXTERNAL THREAD COVER
3	INSERT
4	GASKET
5	GROMMET
6	EXTERNAL THREAD NUT

C28200NOR**

SERIES _____
 C28= EXTERNAL THREAD FORM A
 POLES _____
 2= 2 POLE & 3= 3 POLE
 THREAD _____
 00 = EXTERNAL THREAD
 MATERIAL AND HOUSING COLOR _____
 G= PA6 GRAY, N= PA6 BLACK, W= PA6 BLACK V0, T=TRANSPARENT
 GROUND POSITION _____
 0= UNMOUNTED, 2= H12, 3=H3, 6 =H6 & 9= H9
 SCREW AND GASKET _____
 R= INTEGRATED NBR GASKET AND IP67 SCREW
 S= INTEGRATED SILICON GASKET AND IP67 SCREW
 NON STANDARD PACKAGING _____
 CN= BULK PACK UN-MOUNTED
 SN= BULK PACK MOUNTED
 67= NEUTRAL PACKAGING
 CF= BULK PACK FULLY MOUNTED



NOTES

- FOR SPECIFIC PART NUMBERS PLEASE CONTACT SALES OR CONSULT THE INTELLIGENT PART NUMBERS IN THE TABLE ATTACHED
- PRODUCT SPEC: SEE PS-121201-001
- PACKAGING SPEC: SEE PK-121201-001
- CABLE SIZES 4 - 9 mm DIAMETER
- TIGHTENING TORQUE: SEE PS-121201-001
- GROUND POSITION SHOWN H12

LAST INSPECTION NUMBER USED 8

ADDED PN EC NO: WEU2011-0383 DRW:DMAHER_WEU 2011/02/02 CHKD: APPR:EFOLAN 2011/03/04 REV	QUALITY SYMBOLS ▽=0 ▽=0	GENERAL TOLERANCES (UNLESS SPECIFIED) <table border="1"> <thead> <tr> <th></th> <th>mm</th> <th>INCH</th> </tr> </thead> <tbody> <tr><td>4 PLACES</td><td>±---</td><td>±---</td></tr> <tr><td>3 PLACES</td><td>±---</td><td>±---</td></tr> <tr><td>2 PLACES</td><td>±0.1</td><td>±---</td></tr> <tr><td>1 PLACE</td><td>±0.2</td><td>±---</td></tr> </tbody> </table> ANGULAR ±---° DRAFT WHERE APPLICABLE MUST REMAIN WITHIN DIMENSIONS		mm	INCH	4 PLACES	±---	±---	3 PLACES	±---	±---	2 PLACES	±0.1	±---	1 PLACE	±0.2	±---	DIMENSION STYLE MM ONLY DRAWN BY: DMAHER_WEU 2010/03/11 DATE: 2010/03/11 CHECKED BY: E FOLAN DATE: APPROVED BY: JWALLACE 2010/03/24 DATE: 2010/03/24 MATERIAL NO. SEE TABLE	SCALE 1:1 DESIGN UNITS METRIC THIRD ANGLE PROJECTION	TITLE EXTERNAL THREAD C28 SERIES 121201	MOLEX INCORPORATED DOCUMENT NO. SD-121201-002	SHEET NO. 1 OF 1
		mm	INCH																			
4 PLACES	±---	±---																				
3 PLACES	±---	±---																				
2 PLACES	±0.1	±---																				
1 PLACE	±0.2	±---																				
THIS DRAWING CONTAINS INFORMATION THAT IS PROPRIETARY TO MOLEX INCORPORATED AND SHOULD NOT BE USED WITHOUT WRITTEN PERMISSION																						